



Specification No.: 25-2011

Model: DAN_1S1P_7A_COIN

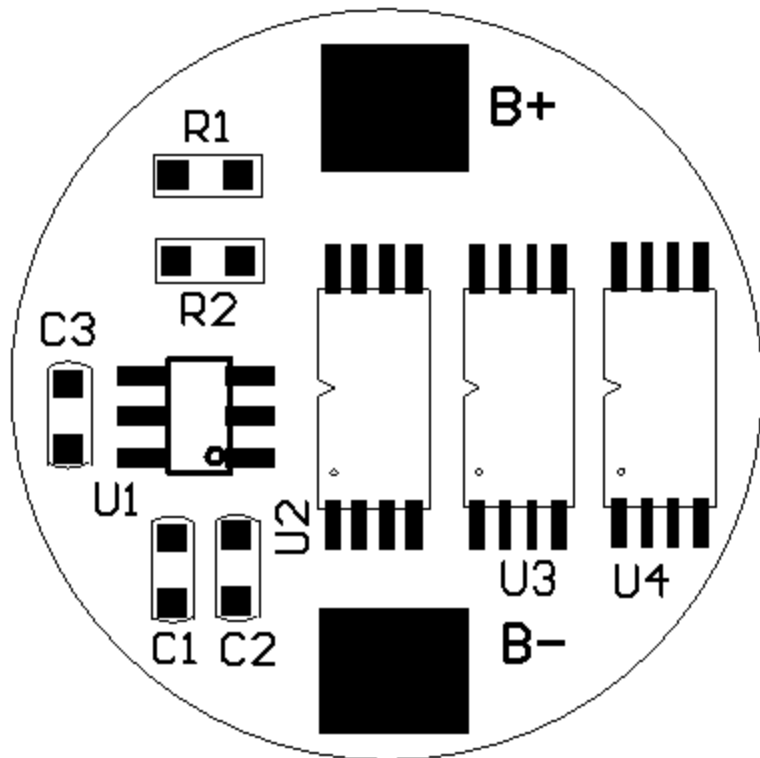
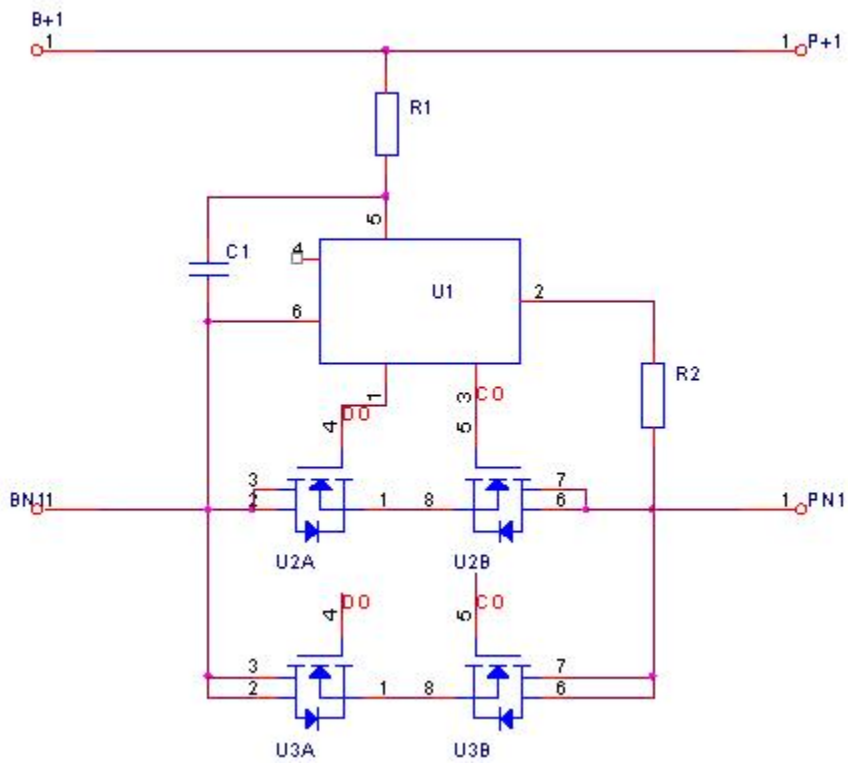
Date: 11/2011

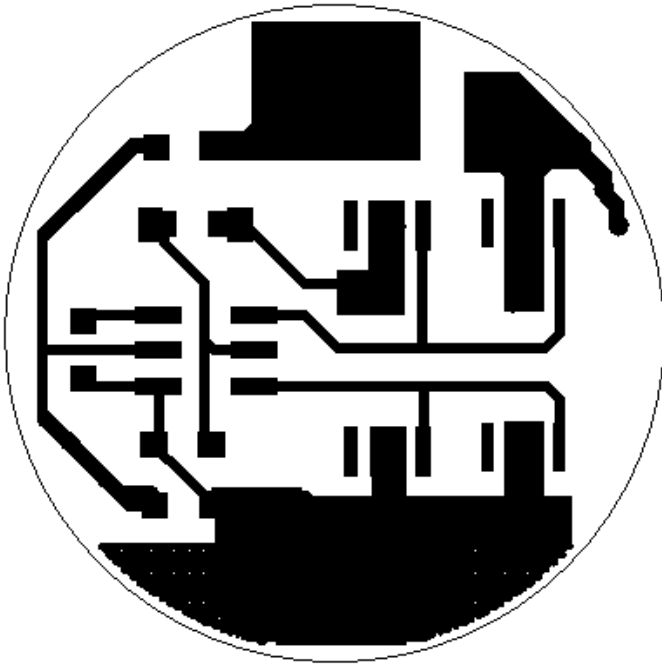
Issue: Alon Dror

Test Conditions: Temperature: 25°C , Relative Humidity: ≤90%

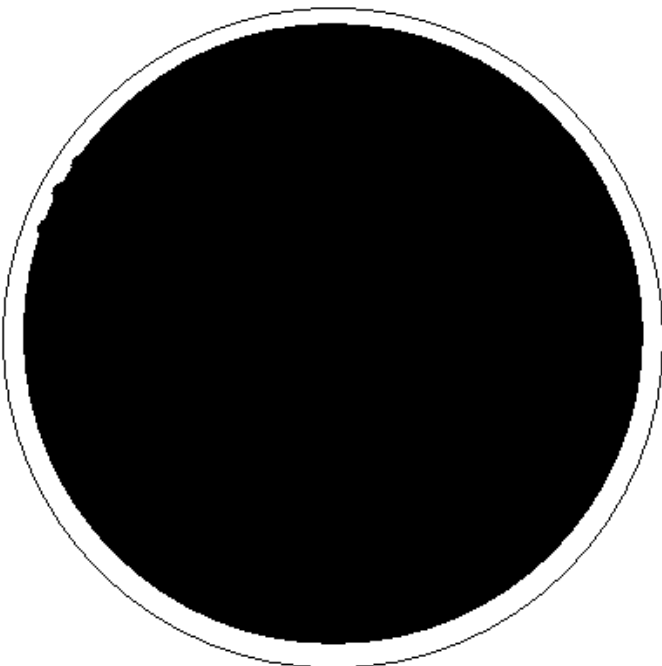
Item	Min	Typ	Max	Unit
Input Voltage (-B & +B)	1.5		9	V
Over Voltage Protecion	4.25	4.30	4.35	V
Over Voltage Release	4.05	4.10	4.15	V
Over Voltage Protection Delay		80	200	ms
Over Discharge Protection	2.3	2.4	2.5	V
Over Discharge Release	2.9	3.0	3.1	V
Over Discharge Protection Delay		40	100	ms
Over Current Protection	7.0	8.0	9.0	A
Over Current Delay		10	20	ms
Circuit Current Consumption		3.0	50.0	uA
Circuit Resistance		30	50	mΩ
Short Circuit Delay		5	30	us
Operating Temperature	-40		85	°C

Schematic & Layout:

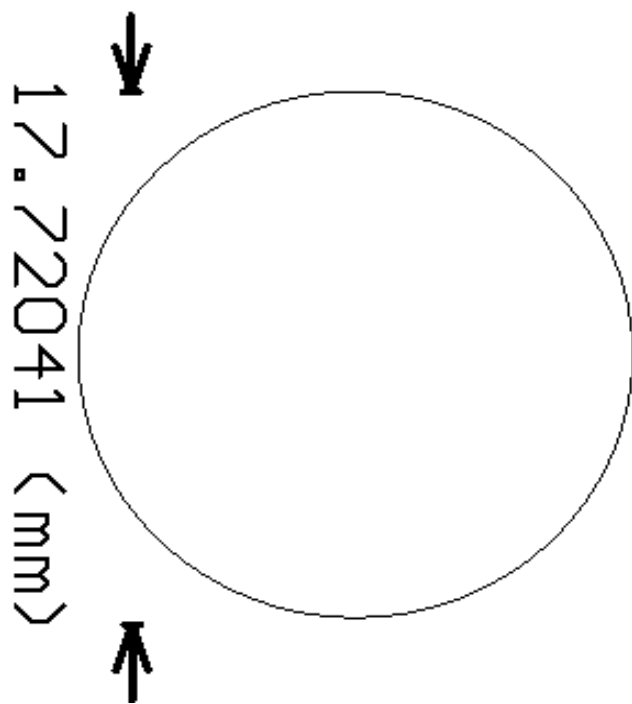




TOPLAYER



BOTTOMLAYER



Thickness: 0.6mm